

REFRIGERATOR/FREEZER

UK

MODEL: ET-AC22E INSTRUCTION MANUAL

Congratulations on the purchase of this quality Refrigerator/Freezer.

We the manufacturer trust that you will enjoy many years of trouble free use.

Please read the instructions carefully before using your Refrigerator/Freezer.

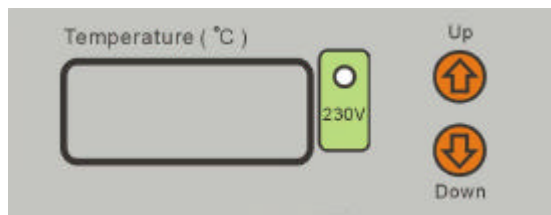
This manual will provide you with information on how to operate and care for your Refrigerator/Freezer in order that you gain the maximum benefit from it

- ✧ **The appliance must be earthed and connected to a suitable 230 volt AC socket. The manufacturer and the seller do not accept responsibility for any damage due to incorrect electrical installation.**

TEST-RUN

- ✧ At AC input condition, the voltage range required is 190~240V.
- ✧ Do not pull the appliance by the power cord.
- ✧ Connect power, set the digital thermostat to -18° and check the indicators. After 30 minutes, open the door and check the inside surface. If the inside surface is cold, your appliance is working.

LED CONTROL AND OPERATIONS



Operation with AC230V/50Hz

- ✧ Connect the “AC230V” socket of the appliance with an AC230V power source by the removable AC plug and cord packed with the appliance.
- ✧ The LED light “230V” will illuminate to indicate the appliance is working.
- ✧ In the temperature window the digital temperature set last time will flash for 5 seconds and then automatically change to the actual temperature inside the cabinet.
- ✧ Press the “Up” or “Down” keystrokes/arrows to set the temperature you require. It can be adjusted from -20~-10°.
- ✧ The set temperature will flash for 5 seconds and then automatically change to show the actual temperature inside the cabinet.
- ✧ To turn off the appliance, remove the plug from socket.

FOODS STORING

- ✧ Fresh food should not be stored together with frozen food.
- ✧ When the temperature is set below 0°, do not keep glass-bottled drinks such as beer and lemonade as the bottles might crack.

DEFROSTING AND DE-ODORIZING

- ✧ When the layer of ice on the inner cabinet sides is over 5mm, defrosting operation should be performed to improve the refrigerating efficiency.
- ✧ Switch off the power, remove all items. After defrosting and removing all water, clean the cabinet with a soft cloth and switch on the appliance.
- ✧ Note: never remove ice with sharp objects.
- ✧ Place a piece of charcoal in the appliance to remove any bad odors.

MAINTENANCE AND REGULAR CLEANING

- ✧ Always disconnect the power supply before cleaning. Clean the inside of the cabinet whenever necessary using a warm solution of water and bicarbonate of soda (1 tablespoon to every 2 liters of water) and dry with a soft cloth
- ✧ Dirt from the condenser should be cleaned by a qualified technician when necessary.

NOT A MALFUNCTION

- ✧ It is normal to hear gurgling sounds caused by the flow of refrigerant when each cooling cycle ends.
- ✧ The surface temperature of the compressor can reach 70-90°C when running.
- ✧ The noise emitted by the cooling fan on the condenser is a normal condition.

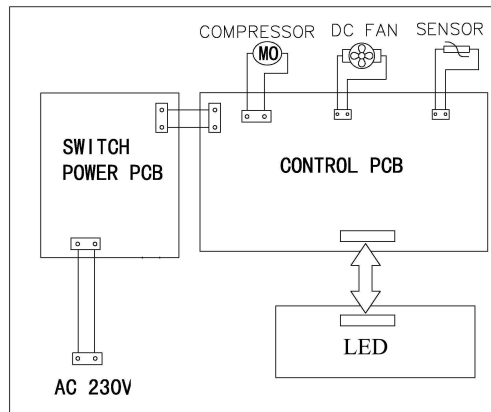
MAIN TECHNICAL PARAMETER

Model:	ET-AC22E
Efficient volume:	22L
Input power (Max.):	140 Watt
Temperature of freezing:	-12°C
Temperature of refrigerating:	0~10°C
Dimensions (L x D x H):	509 x 310 x 394mm

SAFETY:

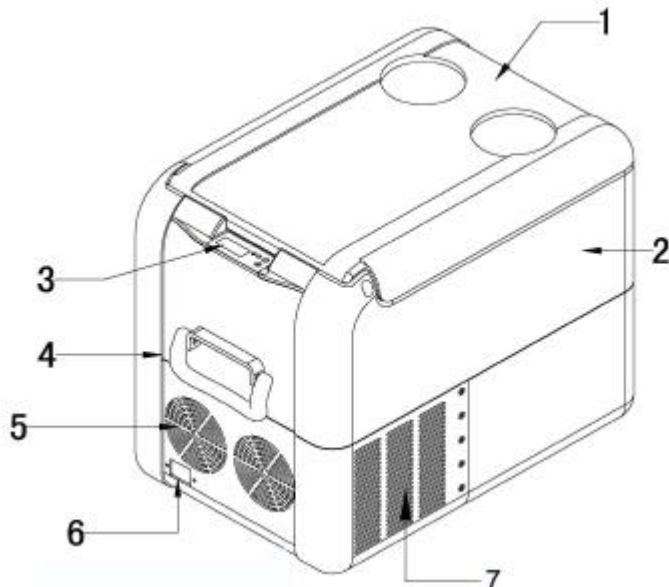
A separate earthed 15A socket outlet should be used on 230VAC. In the event of any malfunction of your freezer, please contact the nearest service agent.

CIRCUIT DIAGRAM



IDENTIFICATION

1. Lid
2. Cabinet
3. LED control panel
4. Handle
5. Fan grill
6. AC socket
7. Ventilation grill



MOVEMENT AND INSTALLATION

- ✧ When moving the freezer, the angle between the cabinet and the ground should not be less than 45° in order to protect the compressor and refrigerating system.
- ✧ Position the freezer in a dry and well-ventilated place. Keep the freezer away from direct sunlight, heaters, and corrosive gases.
- ✧ The normal operation of the freezer depends on the heat radiation of the condenser. For the initial use, the packing foam must be taken off and at least 150mm space must be left around the freezer.

TROUBLESHOOTING

Problem	Cause	Remedy
The compressor runs for 1~5 minutes and stops	The voltage is not within the normal range	Switch off power and restart when power is normal
The compressor runs, but inner liner does not get cold	The refrigerant has leaked	Contact your local dealer
	The system is blocked	
The inner liner is very cold and the compressor runs continuously.	The ice layer on the evaporator is too thick	Defrost
	The door is being opened and closed too frequently	The door should be opened as little as possible
	The condenser is not well-ventilated. The controller is faulty	Select a well-ventilated place
The compressor does not run	“+” and “-” are switched.	Rectify
	The controller is faulty (the power indicator is not on)	Contact your local dealer
	The thermostat is set too high; the ambient temperature is too low	Use as a freezer
The freezer is noisy	The freezer is not placed properly	Make the freezer level
	Some parts come loose	Contact your local dealer
	The pipes are touching	Contact your local dealer

Warranty:

- If this product has not been operated according to this user manual, the warranty does not cover.
- If this product has been dropped or been exposed to mechanical stress, the warranty does not cover.
- If this product has been opened, the warranty does not cover.
- If there have been mechanical or electrical changes on this product, the warranty does not cover.
- You have 24 months warranty on this product according to local law.

Service User Information:

If you want to operate this unit at 12VDC, use Etomer™ Power Inverter ET-500PS which is approved to operate this REFRIGERATOR-FREEZER (ET-AC22E) at 12VDC.

Use of other types of power inverter may damage the unit and the warranty does NOT cover.

Use only ET-500PS if you want to operate the unit at 12VDC.